

WD 200

**INSTALLATION-
VARIANTS**

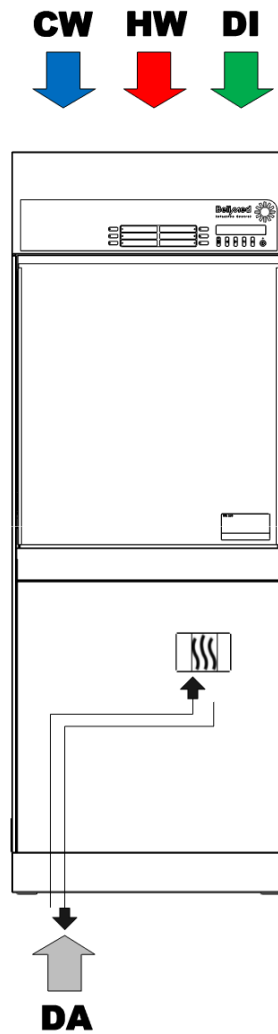
ENGLISH



LEGEND CONNECTION WD 200

Connection installation preparation WD 200			
Building side		Machine side	
CW, HW, DI Water connections Shut off valve 3/4" , 200 – 600 kPa		2m armored hose Fine filter 3/4" mesh gauge 250µ Free flow area	
A Drain Floor drain siphoned, 93°C heat resistant Drain stud DO = 56mm		T piece for condensate drainage DI = 20 mm / DO = 26 mm Drain hose EPDM DI = 56 mm	
A Drain pump Floor drain siphoned 93°C heat resistant		Max. Delivery height 1m 100l/min. (optional) Drain hose EPDM DI = 19 mm	
AL Exhaust air Drain pipe DI = 115mm, water resistant		Exhaust air pipe DA = 114.5 mm	
<p>EL Electric connection (Electric heating)</p> <p>400V 50Hz 3P+N Electric heating : 32Amp 400V 60Hz 3P+N Electric heating : 32Amp 400V 50Hz 3P+N Steam heating : 20Amp 400V 60Hz 3P+N Steam heating : 20Amp</p> <p>200V 50Hz 3P Electric heating : 50Amp 200V 60Hz 3P Electric heating : 50Amp 200V 50Hz 3P Steam heating : 32Amp 200V 60Hz 3P Steam heating : 32Amp</p> <p>208V 60Hz 3P Electric heating : 50Amp 208V 60Hz 3P Steam heating : 32Amp Installation category (CAT II) Largest permissible mains voltage fluctuaction +- 10%</p>		<p>Cable 400V 5x6mm² , HO7 RN-F , L = 1m</p> <p>Cable 400V 4x10mm² , HO7 RN-F , L = 1m</p> <p>Cable 400V 4xAWG8 , Style 2587 , L = 1m</p>	
DA Steam connection 2 shut – off valves 1/2" 1 Dirt traps 1/2"		2 T-pieces 1/2" 1 2/2" – way magnetic valve 1/2" (24 VAC) Steam heat dryer 2 2/2" – way magnetic valve 1/2" (24 VAC) 2 welding sleeves 1/2" 2/3 condensate traps 1/2"	
Dimensions			
WD 200 Chamber W = 575 mm D = 617 mm H = 625 mm	WD 200 Rack W = 568 mm D = 610 mm H = 555 mm	WD 200 Machine W = 680 / 730 mm D = 710 mm H = 1840 mm without condenser H = 2210 mm with condenser	WD 200 Transport B = 1060 mm L = 1050 mm H = 2000 / 2370 mm Weight ca. 300 kg

WD 200 STANDARD

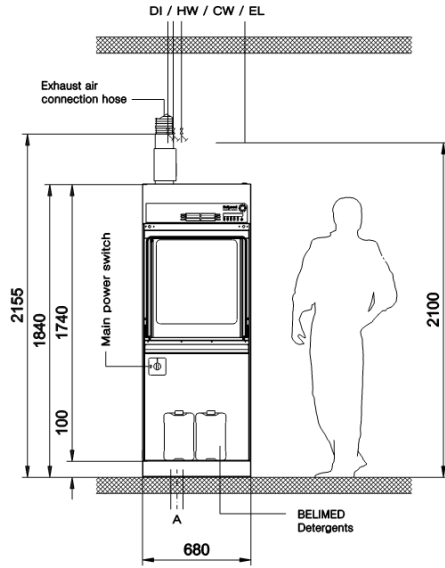


Information : -

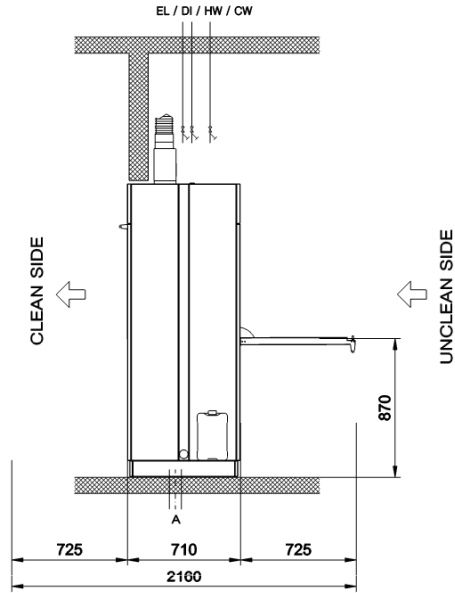
Connection above : CW , HW , DI

Connection bottom : DA

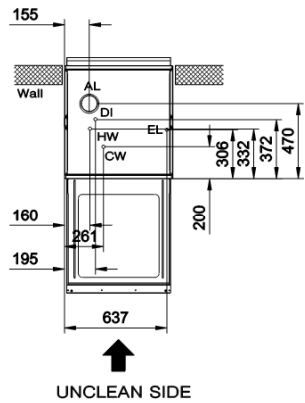
VIEW
UNCLEAN SIDE



VIEW
SIDE

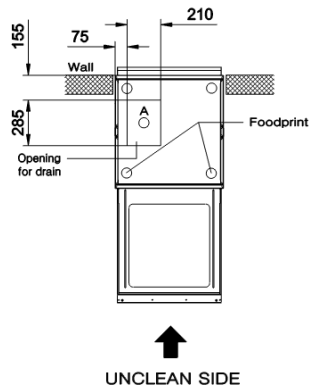


CLEAN SIDE

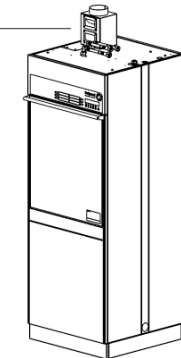
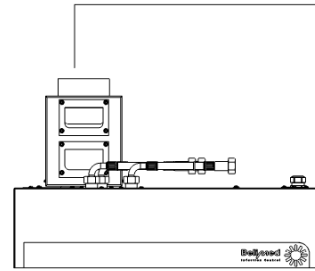


VIEW TOP
COVER CONNECTION

CLEAN SIDE



VIEW TOP
FLOOR CONNECTION



WD 200

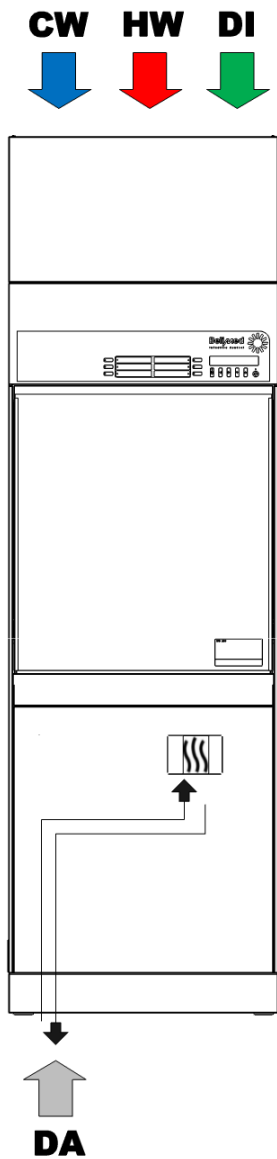
without condenser



Belimed AG
CH-6275 Ballwil
Tel. 041 449 78 88
www.belimed.ch

Design : Marcel Mai
Date : 12.07.2012
Mstb. : 1:20 / A2





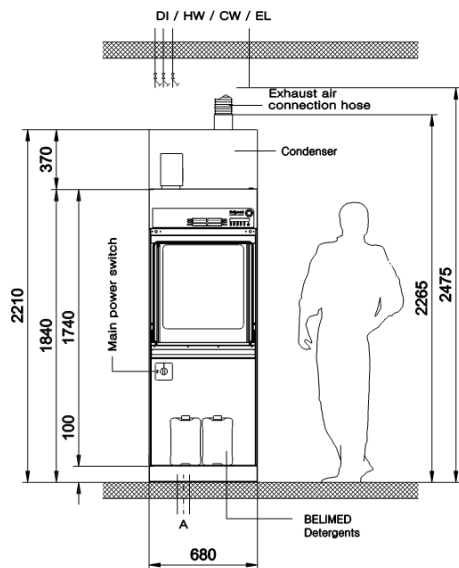
WD 200 STANDARD WITH CONDENSER DI - TANK

Information : -

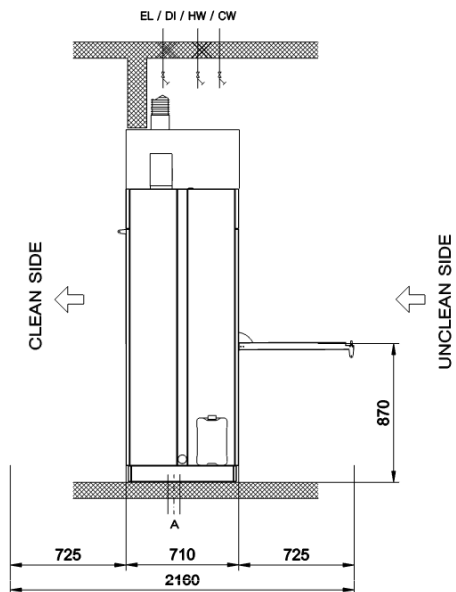
- 824264 Side cover panel for condenser/DI tank essential
Connection above : CW , HW , DI

Connection bottom : DA

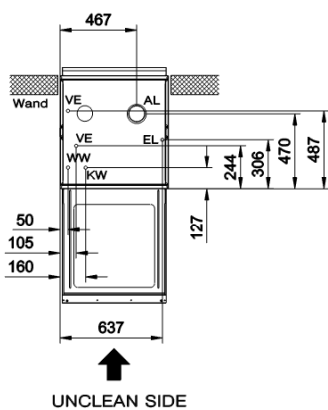
VIEW UNCLEAN SIDE



VIEW SIDE

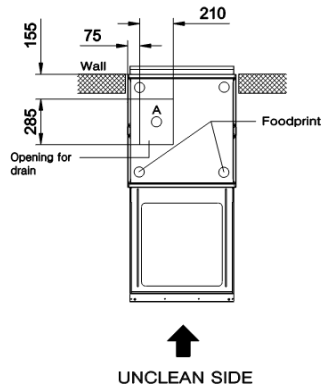


CLEAN SIDE

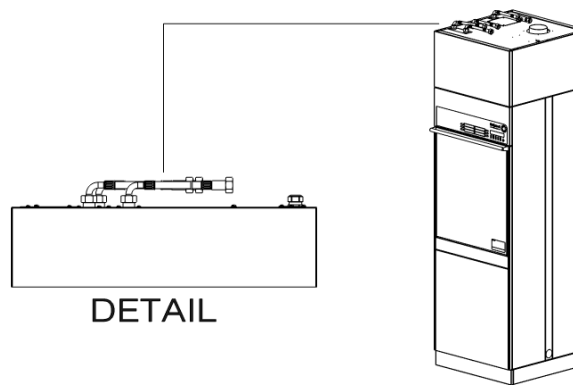


VIEW TOP COVER CONNECTION

CLEAN SIDE



VIEW TOP FLOOR CONNECTION



WD 200

with condenser

Belimed
Infection Control

Belimed AG
CH-6275 Ballwil
Tel. 041 449 78 88
www.belimed.ch

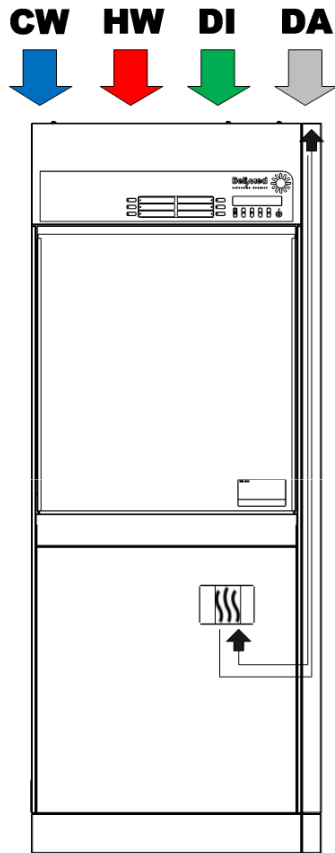
Design : Marcel Mai

Date : 12.07.2012

Mstb. : 1:20 / A2

B

WD 200 CONNECTION FROM ABOVE

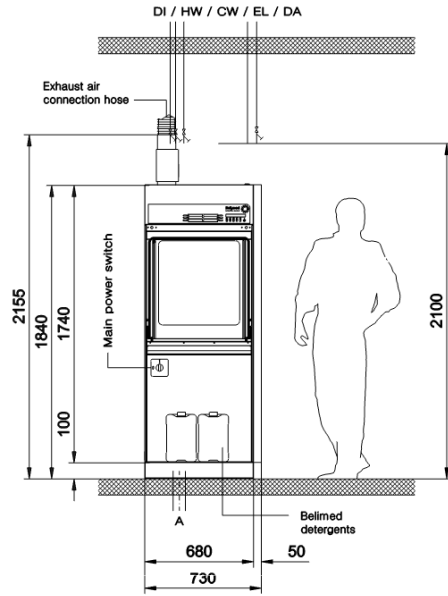


Information :

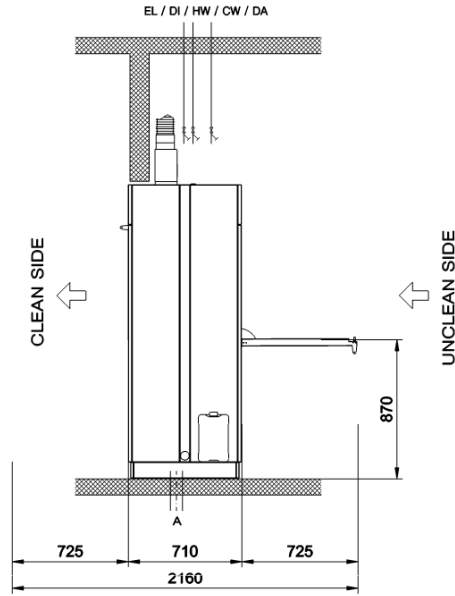
- 730 mm Machine width
- 824275 Side cover panel essential

Connection above : CW , HW , DI , DA

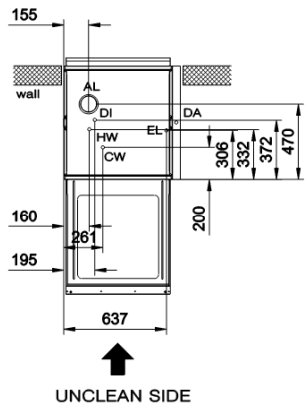
VIEW
UNCLEAN SIDE



VIEW
SIDE

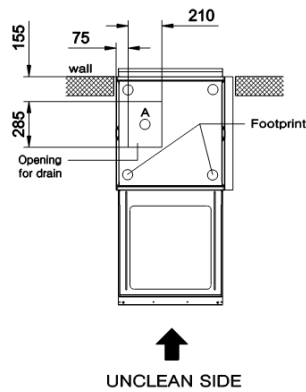


CLEAN SIDE

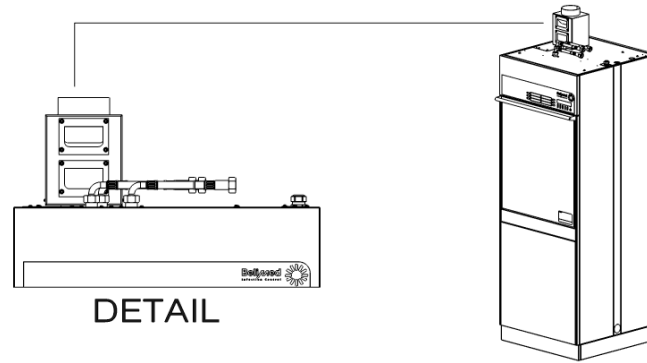


PLAN
COVER CONNECTION

CLEAN SIDE



PLAN
FLOOR CONNECTION



WD 200

without condenser

Belimed
INFECTION CONTROL

Belimed AG
CH-6275 Ballwil
Tel. 041 449 78 88
www.belimed.ch

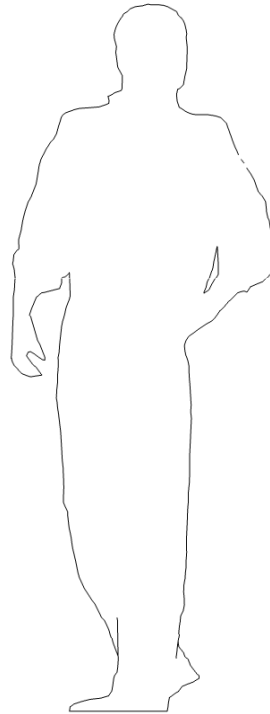
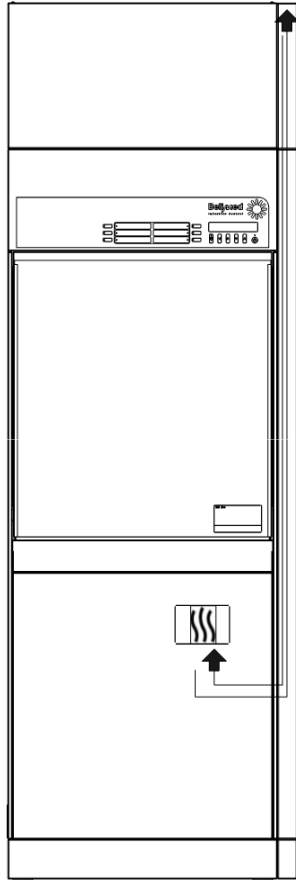
Design : Marcel Mai

Date : 12.07.2012

Mstb. : 1:20 / A2



CW **HW** **DI** **DA**
↓ ↓ ↓ ↓



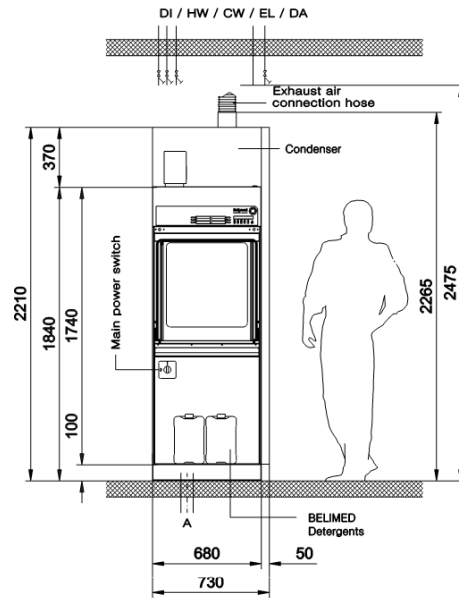
WD 200 CONNECTION FROM ABOVE WITH CONDENSER DI TANK

Information :

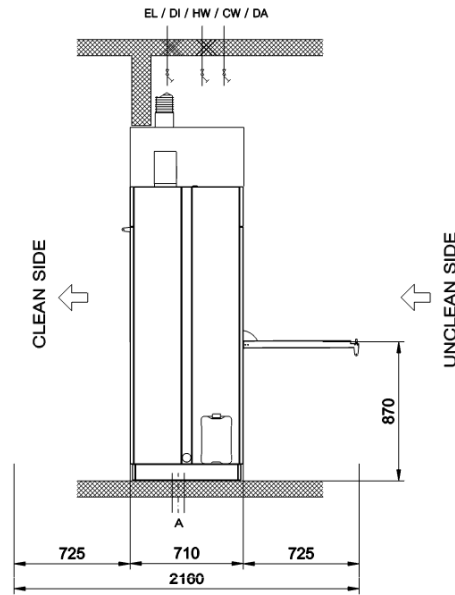
- **730 mm Machine width**
- **824275 Side cover panel essential**
- **824276 Side cover panel for condenser/DI tank essential**

Connection above : CW , HW , DI , DA

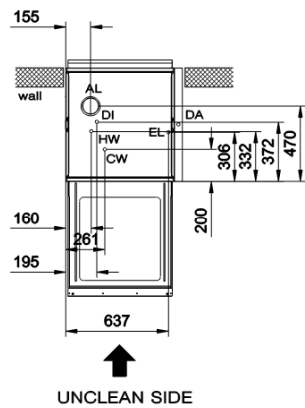
VIEW UNCLEAN SIDE



VIEW SIDE

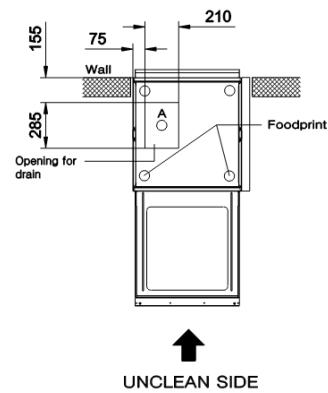


CLEAN SIDE

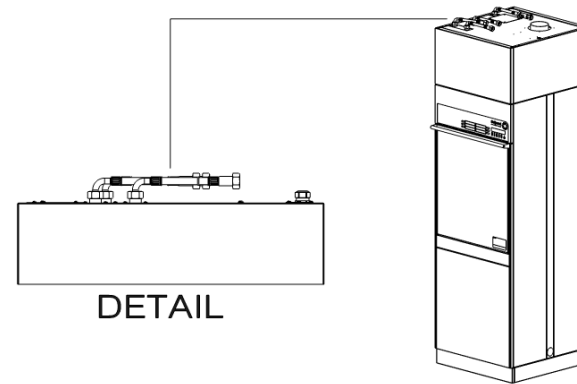


VIEW TOP
COVER CONNECTION

CLEAN SIDE



VIEW TOP
FLOOR CONNECTION



WD 200

with condenser

Belimed
Infection Control

Belimed AG
CH-6275 Ballwil
Tel. 041 449 78 88
www.belimed.ch

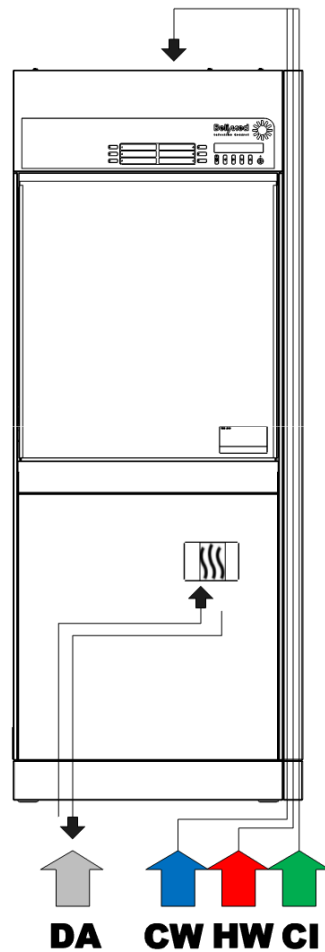
Design : Marcel Mai

Date : 12.07.2012

Mstb. : 1:20 / A2



WD 200 CONNECTION FROM BOTTOM

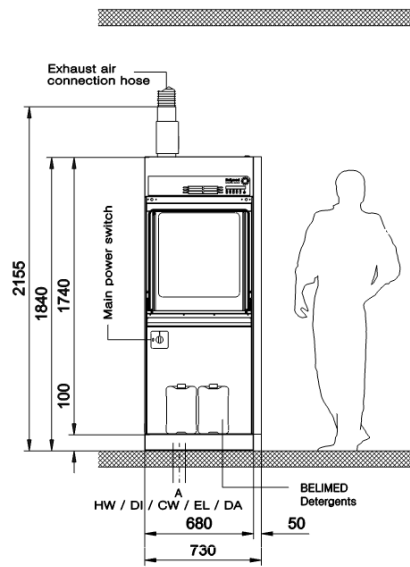


Information :

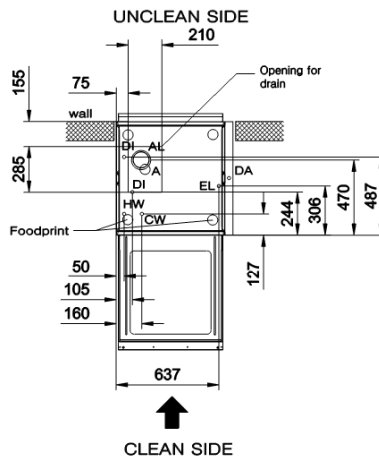
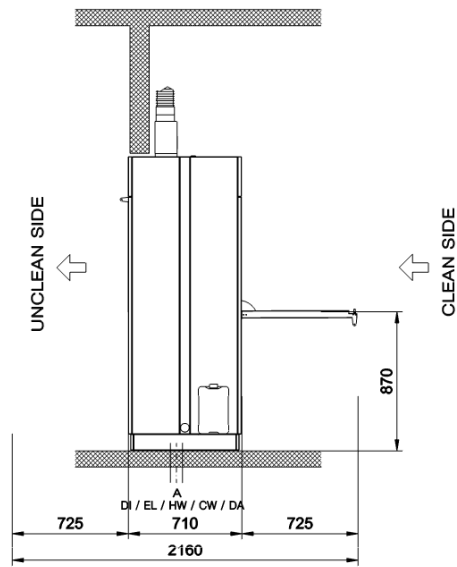
- 730 mm Machine width
- 824275 Side cover panel essential

Connection bottom : CW , HW , DI , DA

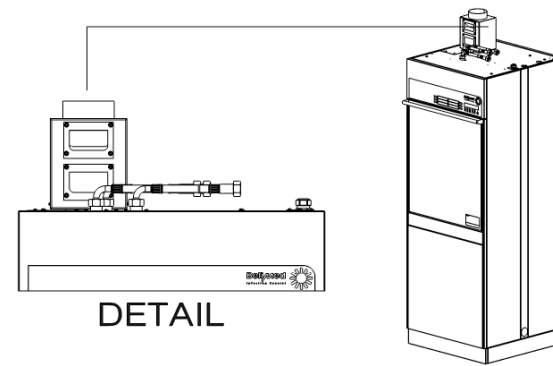
VIEW
UNCLEAN SIDE



VIEW
SIDE



VIEW TOP
FLOOR CONNECTION



DETAIL

WD 200

without condenser

Belimed
INFECTION CONTROL

Belimed AG
CH-6275 Ballwil
Tel. 041 449 78 88
www.belimed.ch

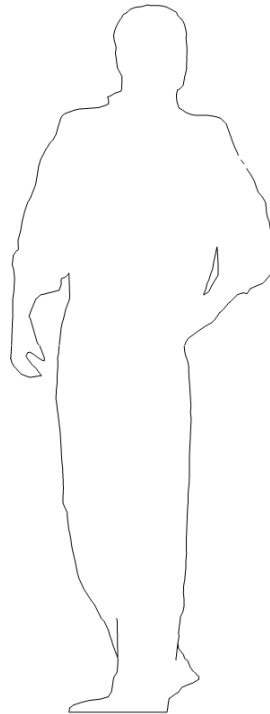
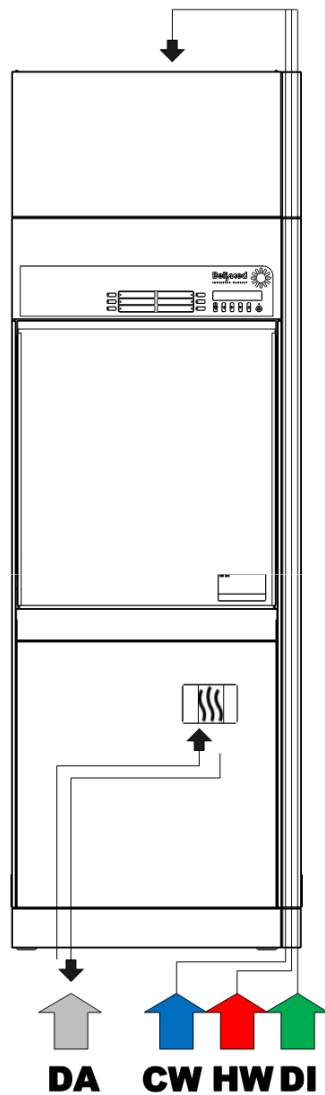
Design : Marcel Mai

Datum : 12.07.2012

Mstb. : 1:20 / A2



WD 200 CONNECTION FROM BOTTOM WITH CONDENSER DI TANK



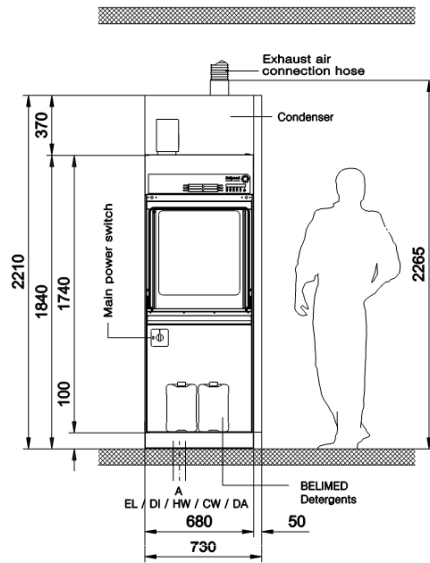
Information :

- 730 mm Machine width

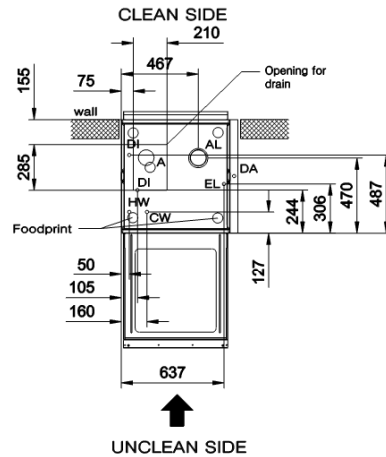
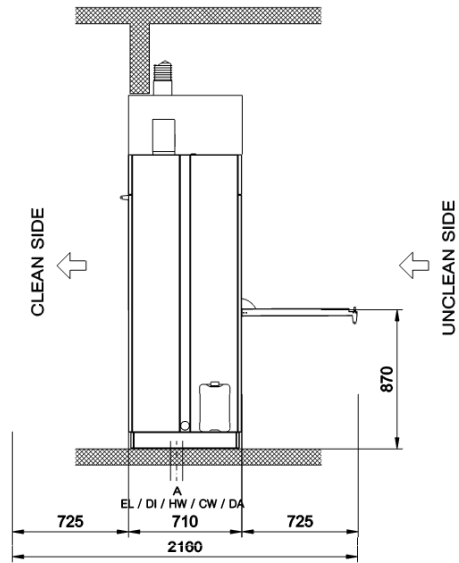
- 824275 Side cover panel essential

- 824276 Side cover panel for condenser/DI tank essential
Connection bottom : CW , HW , DI , DA

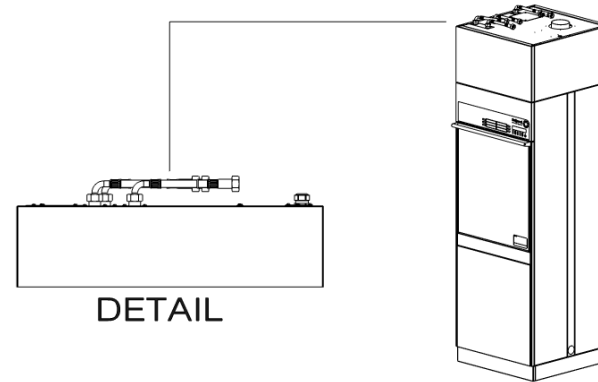
VIEW
UNCLEAN SIDE



VIEW
SIDE



VIEW TOP
FLOOR CONNECTION



WD 200

with condenser

Belimed
Infection Control

Belimed AG
CH-6275 Ballwil
Tel. 041 449 78 88
www.belimed.ch

Design : Marcel Mai

Datum : 12.07.2012

Mstb. : 1:20 / A2

